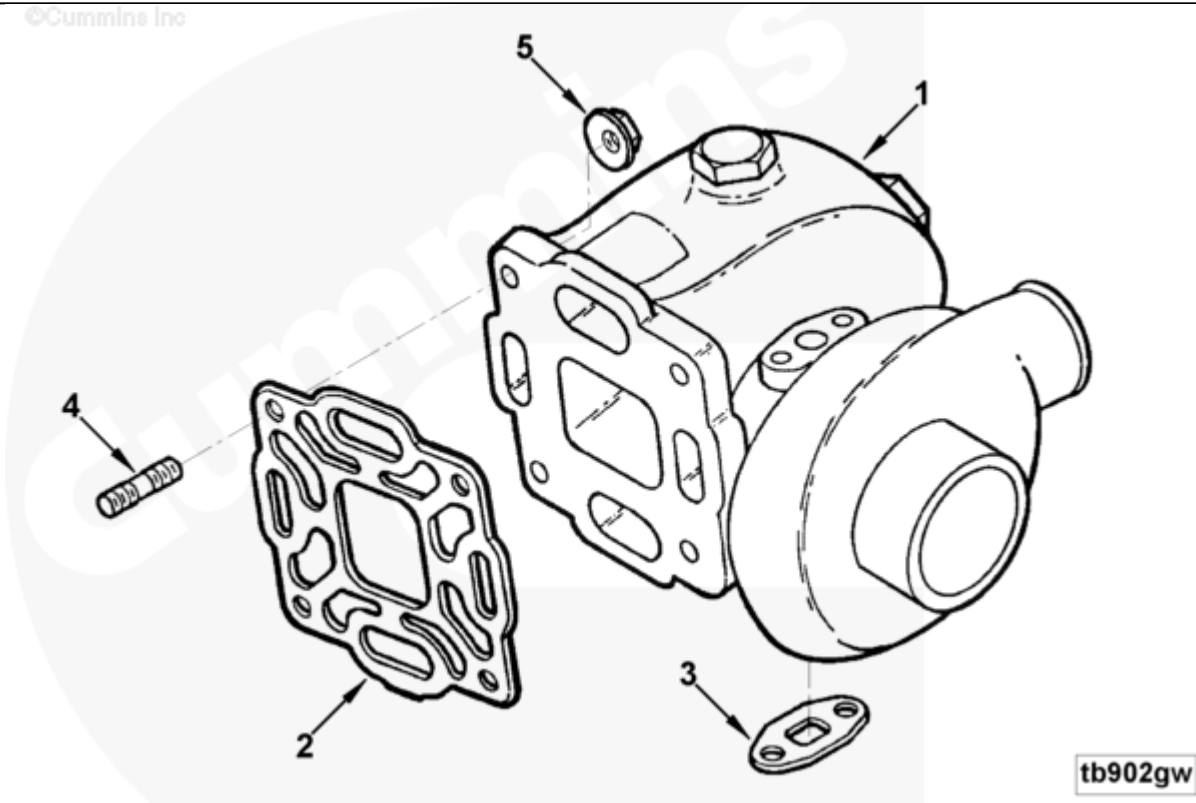




Parts Catalog - Option Detail

Electronic Parts Catalog - Option Detail				
Option	Group	Graphic	Film Card	Date
PP9847	10.05	tb902gw	Z	01-MAY-96
Engines	6C8.3, C GAS PLUS CM556, G8.3, G8.3 CM558, GTA8.3 CM558, ISC CM2150, ISC CM554, ISC CM850, ISC8.3 CM2250, ISC8.3 G CM2180 C101, ISL CM2150, ISL CM554, ISL CM850, ISL G CM2180, ISL8.9 CM2150 L110, ISL8.9 CM2880 L112, ISL9 CM2150 SN, ISL9 CM2250, ISL9 CM2350 L101, ISL9 CM2350 L111, ISLE4 CM850, L GAS PLUS CM556, L8.9, L8.9 L121, L8.9G CMOH2.0 L125B, L9 CM2350 L116B, L9 CM2350 L119B, L9 CM2350 L120C, L9 CM2350 L123B, L9.3 L105, L9.5 L117, L9N CM2380 L124B, QSC8.3 CM2250, QSC8.3 CM2880 C102, QSC8.3 CM554, QSC8.3 CM850(CM2850), QSL9 CM2250, QSL9 CM2250 L115, QSL9 CM2350 L102, QSL9 CM2350 L107, QSL9 CM2350 L118, QSL9 CM2350 L122, QSL9 CM554, QSL9 CM850(CM2850), QSL9 G CM558, QSL9 M CM2250 L106, QSL9.3 CM2880 L113			



[SMALL](#) | [MEDIUM](#) | [LARGE](#)

Cart	Ref No	Part Number	Part Description	Required	Remarks
View My Cart					
		PP9847	Turbocharger		Turbocharger...(More)
					Engine Family: C Series
					Turbocharger Location: RMSO
					Base ID17 Turbocharger:

					3527017
					Turbocharger Type: Non-
					wastegate
					Wastegate Pressure Setting
					(BAR):
					Compressor Angle (shipping
					deg): 258
					Turbine Angle (deg): 270
					Structure Code: 02 EBM
					Engine Cylinders: 6
					Engine Aspiration: Sea Water
					Aftercooled
					Non active oil cooled
					turbocharger.
<input type="checkbox"/>		3802203	Turbocharger Kit	1	
	1	3527017	Turbocharger	1	
<input type="checkbox"/>	2	3916300	Turbocharger Gasket	1	
<input type="checkbox"/>	3	3914388	Oil Drain Gasket	1	Holset P/N 3519807
<input type="checkbox"/>	4	3907978	Stud	4	M10 x 1.50(Both Ends) x 50
<input type="checkbox"/>	5	3818824	Hexagon Flange Nut	4	M10 X 1.50.